

AlphaEclipse™ RoadStar™ Series Outdoor LED Display

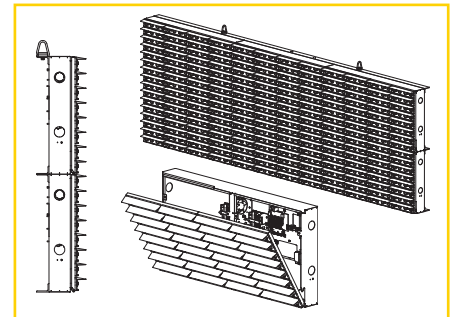


ROAD STAR Series

The AlphaEclipse RoadStar series is designed for maximum visibility along highways, highly elevated installations, or any application requiring long distance visibility. Its unique, modular, state-of-the-art design produces a dynamic advertising message center that is highly energy efficient, easy to operate, install and service.

Advertise your products and services at a moment's notice to dramatically increase your company's sales and profits, like no other advertising medium can. Become a recognized landmark in your local community. Superior PureColor™ LED design exhibits excellent color contrast, is very bright and provides you with a display that will impact your daily drive-by audience with dazzling, professional advertising messages that cannot be ignored.

- *Retrofit* – Replace your old incandescent or flip disk technology.
- *Flexible* – Many modular sizes to meet your display needs from 1.5ft. tall x 5ft. long to 14ft. tall x 46ft. long.
- *Powerful* – Visible from several hundred to over 3000 feet – large diameter LED pixels.
- *Dynamic* – At a moment's notice, brilliant advertising messages and graphics attract the attention of your drive-by audiences.
- *Efficient* – Energy Smart Technology is affordable, reliable and energy efficient.
- *Economical* – A single investment in LED advertising displays will help you to eliminate reoccurring expenditures on traditional yellow pages, newspaper, radio, TV (shotgun) advertising that do not reach your targeted drive-by audience.
- *Profitable* – Create new sales and profits as no other advertising medium can by stimulating and increasing daily impulse purchases.



- All weather fully modular case design
- Easy front case access to all parts
- Red or amber color options

Standard Features

- AlphaNet™ software included with exclusive user tutorial CBT (computer based training) program
- Five-year limited factory depot warranty
- PureColor™ LED design enables maximum brightness
- Convenient calendar scheduling of messages
- Display text, graphics and animations (BMP/GIF)
- Front access to all electronic components
- Modular design enables fast delivery
- Many sizes from 1.5' x 5' to 14' x 46'
- Convenient PC control from home/office
- Wired or wireless connectivity
- 256 shades of red or amber



AlphaEclipse™ RoadStar™ Series Specifications

Rows	Columns	Depth: 17.5" is 10"D 24.5" is 11.75"D Case H" x W"		Character Height Per Line 17.5" Display	Character Height Per Line 24.5" Display	Number of Characters Per Line	Red Rated Max 115VAC Input Current (Amps)		Amber Rated Max 115VAC input Current (Amps)		Weight with mounting brackets		Number of sections to ship & install
		17.5	24.5				17.5	24.5	17.5	24.5	17.5	24.5	
		7	64				1'8"x13'4"	2'4"x18'8"	17.5" / 1 line	24.5" / 1 line	10/1	6	
7	80	1'8"x16'8"	2'4"x23'4"	13/1	7	11	11	15			360	440	2
7	96	1'8"x20'	2'4"x28'	16/1	8	13	13	18			310	530	2
16	64	3'4"x13'4"	4'8"x18'8"	40" / 1 line	56" / 1 line 24.5" / 2 lines	10/2	12	19	18	27	460	770	2
16	80	3'4"x16'8"	4'8"x23'4"	25" / 1 line		13/2	14	23	23	33	580	960	2
16	96	3'4"x20'	4'8"x28'	17.5" / 2 lines		16/2	17	27	27	39	690	1150	2
24	64	5'x13'4"	7'x18'8"	60" / 1 line	84" / 1 line 17.5" / 4 lines	21/1	17	27	27	39	690	1155	2
24	80	5'x16'8"	7'x23'4"	50" / 1 line		24/1	21	34	34	49	870	1440	2
24	96	5'x20'	7'x28'	25" / 2 line 12.5" / 4 lines		26/1	25	41	40	58	1035	1725	2
32	64	6'8"x13'4"	9'4"x18'8"	80" / 1 line	112" / 1 line 53" / 2 line 35" / 3 lines 17.5" / 5 lines	10/4	22	36	36	52	920	1540	2
32	80	6'8"x16'8"	9'4"x23'4"	50" / 1 line		13/4	28	45	45	65	1160	1925	2
32	96	6'8"x20'	9'4"x28'	37.5" / 2 line 25" / 3 lines 12.5" / 5 lines		16/4	33	54	53	77	1380	2300	2
40	64	8'4"x13'4"	11'8"x18'8"	80" / 1 line	112" / 1 line 53" / 2 line 35" / 3 lines 17.5" / 6 lines	10/5	28	45	45	65	1150	1925	4
40	80	8'4"x16'8"	11'8"x23'4"	50" / 2 line		13/5	34	56	56	81	1450	2400	4
40	96	8'4"x20'	11'8"x28'	25" / 3 lines 12.5" / 6 lines		16/5	41	67	67	96	1725	2875	4
48	64	10'x13'4"	14'x18'8"	80" / 1 line	112" / 1 line 70" / 2 line 53" / 3 line 35" / 4 lines 17.5" / 8 lines	10/6	33	54	53	77	1380	2310	4
48	80	10'x16'8"	14'x23'4"	50" / 2 line		13/6	41	67	67	96	1740	2880	4
48	96	10'x20'	14'x28'	37.5" / 3 line 25" / 4 lines 12.5" / 8 lines		16/6	49	80	80	115	2070	3450	4
96	256	20'x53'3"	28'x74'6"	17.5" / 13 lines	24.5" / 13 lines	13/42	NA	NA	NA	NA	10970	17450	36

NOTE: Many more sizes are available up to 28' x 75' (96 rows x 256 columns).

Approximate dimensions, power, and weight – call your Adaptive dealer for architectural drawings. Due to continuing product innovations, all specifications are subject to change without notice.

Pixel (LED) Color:	Red or amber, 256 shades (grayscale)
Pixel Pitch:	17.5" character – 64mm / 2.5" pitch 24.5" character – 89mm / 3.5" pitch
Pixel Luminance:	Viewable in direct sunlight
Viewability:	125°
Character Set:	International character set, block (sans serif), decorative (serif), upper/lower case, slim, wide, double wide, and shadow
Message Capacity:	95 different messages can be stored and scheduled to be displayed according to time and date.
Message Presentation:	– 27 unique presentation styles – Automatic centering in any mode – User programmable logos and graphics – Programmable hold times up to 6 minutes – Calendar scheduling
User Animations:	.BMP and .GIF file formats
Temperature Accuracy:	± 1° F Typical (optional temperature probe)
Clock/Date:	Time in 12/24-hour formats, date in multiple formats
Battery:	Lithium battery for time/date/message retention during power interruptions for at least 1 year
Serial Communication Interface:	Standard RS232 and RS485 Options: On site wireless, telephone or fiberoptic modem – factory tested, configured and installed inside the AlphaEclipse case.

Special Features:	– Sealed enclosure design prevents external contaminate penetration and filter maintenance – Light colored case, designed to limit solar heat rise internally – Automatic thermal protection – Internal AC power switch for servicing – Auto night time dimming (8 levels) – Industry standard 64 MB compact flash memory for message storage – Comprehensive remote diagnostic program – External temperature probe (optional)
Communications:	Alpha® Communications Protocol
Power:	115/230 VAC ± 10% - 50/60 Hz single phase
Case Material:	UL 50 type 3R, IP24, aluminum cabinet
Limited Warranty:	Five-year limited factory depot parts warranty
Agency Approvals:	FCC Part 15, Class A, ANSI/UL 60950 -1, CAN/CSA C22.2 60950-1-03 C-ETL-US listing mark
Operating Temperature:	-40° to 122°F / -40° to 50°C
Mounting:	Steel mounting angle, design facilitates welding, bolting, or riveting techniques.
Module/Case Dimensions:	– Front access to all components – Lift off hinged door for ease of service – 17.5" char. is 10" deep inc. steel mtg. brackets – 24.5" char. is 11.75" deep inc. steel mtg. brackets
	NOTE: Many more sizes available to 28'x75' consult your Adaptive dealer.